

CSI SINGLE PHASE STRING INVERTER

CSI-5K-MTL



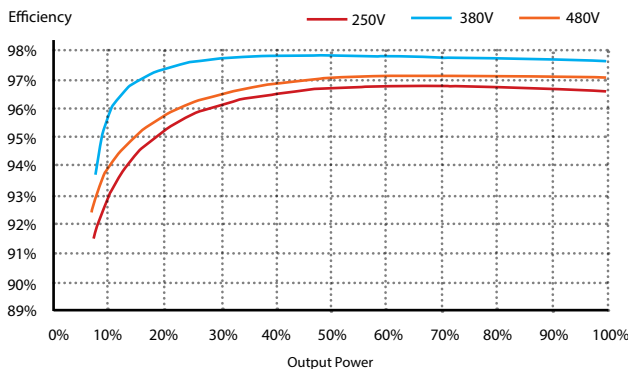
KEY FEATURES:

- Double MPPT Tracker, MPPT tracking accuracy more than 99.5%
- Max. Efficiency 97.9%, European Efficiency 97.4%
- Integrated DC switch for added safety protection
- Transformerless design and high power density, offer lighter and more convenient installation
- Power factor continuously adjustable
- Flexible communication connection, support RF, WiFi, Ethernet
- Comply with European, Asia-Pacific safety regulations
- Standard Warranty: 5 years, extension up to 10 years

CANADIAN SOLAR INC. is committed to providing high quality solar products, solar system solutions and services to customers around the world. As a leading manufacturer of solar modules and PV project developer with over 14 GW of premium quality modules deployed around the world since 2001, Canadian Solar Inc. (NASDAQ: CSIQ) is one of the most bankable solar companies worldwide.

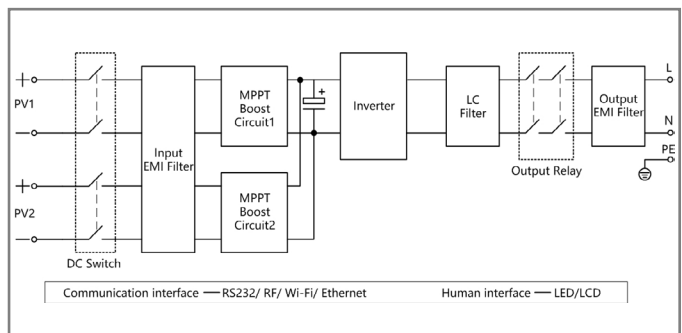
EFFICIENCY CURVE

CSI-5K-MTL@220 Vac



INVERTER TOPOLOGY

CSI-5K-MTL



TECHNICAL DATA

MODEL NAME	CSI-5K-MTL
DC INPUT	
Max. Recommended PV Power(STC)	5750W
Max. DC Input Voltage	550V
Start Voltage	100V
DC Voltage Range	70-550V
MPP Work Voltage Range/ Nominal Voltage	80-550V/360V
Full Load DC Voltage Range	175-550V
Max. Input Current	15A/15A
Max. Input Current per String	15A/15A
Number of MPP Trackers /Strings per MPPT	2/1
AC OUTPUT	
Rated AC Output Power	5000W
Max. AC Output Power	5000W
Max. Output Current	22.7A
AC Nominal Voltage; Range	220,230,240Vac; 180-280Vac
AC Grid Frequency; Range	50,60Hz; ± 5 Hz
Power Factor	1 (0.8leading~0.95lagging)
THDI	<3%
AC connection	Single Phase
EFFICIENCY	
Max. Efficiency	97.9%
CEC Efficiency	97.4%
MPPT Efficiency	99.5%
PROTECTION	
DC Reverse Polarity Protection	Yes
DC Switch Rating for Each MPPT	Yes
Output Over Current Protection	Yes
Output Over Voltage Protection-Varistor	Yes
Ground Fault Monitoring	Yes
Grid Monitoring	Yes
Integrated All-Pole Sensitive Leakage Current Monitoring Unit	Yes
GENERAL DATA	
Dimensions(W/H/D)	355x374x158mm
Weight	14.5Kg
Operating Temperature Range	-25°C ~ +60°C with derating above 45°C
Noise Emission (Typical)	≤ 25 dB(A)
Altitude	2000m without derating
Self-Consumption Night	<0.5 W
Topology	Transformerless
Cooling Concept	Natural
Environmental Protection Rating	IP 65
Relative Humidity	100%
FEATURES	
DC Connection	H4/MC4(optional)
AC Connection	Connector
Display	LCD
Interfaces: RS232/ RF/ Wi-Fi/ Ethernet	Yes/Optional/Optional/Optional
Warranty: 5 Years / 10 Years	Yes/Optional

CERTIFICATES AND APPROVALS

CE; IEC62109; G83; VDE0126-1-1; G59; AS4777; AS/NZS 3100; CEI0-21; VDE-AR-N4105; EN50438; CQC; INMETRO